



GS VOCE MAX 12N100

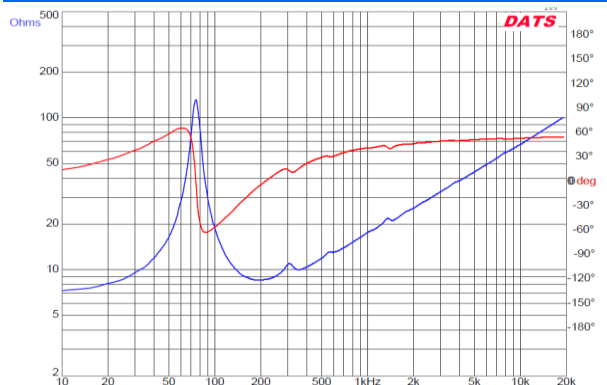
4+4 Ohm

General Specifications

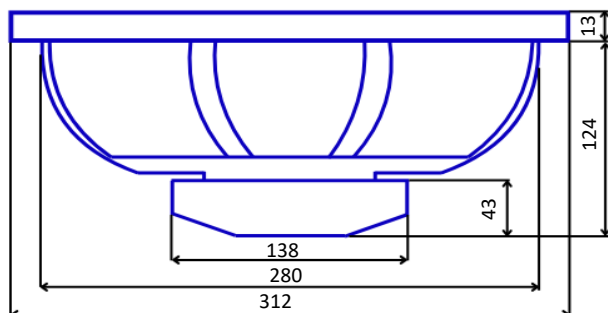
| | |
|-----------------------------------|--------------|
| Nominal Diameter | 300 mm |
| Nominal Impedance | 4+4 Ohm |
| Minimum Impedance | 6,95 Ohm |
| RMS Power | 1000 WRMS |
| Max Power | 2000 W |
| Frequency Range | 70 ÷ 2000 Hz |
| Efficiency (Eta 0) | 1,63% |
| Sensibility (2.83 V) - 2 Ohm coil | 100,23 dB |
| Sensibility (2.83 V) - 8 Ohm coil | 94,85 dB |
| Voice coil Diameter | 100 mm |
| Voice Coil Wire | 100% copper |

Thiele&Small Parameters

| | |
|---------------------|-------|
| Re (ohm) | 6,95 |
| Fs (Hz) | 75,37 |
| Le (mH) | 1,06 |
| Vas (L) | 25,63 |
| Cms (mm/N) | 0,06 |
| BxL (T*m) | 19,25 |
| Qts | 0,61 |
| Qms | 11,46 |
| Qes | 0,64 |
| Xmax (mm - one way) | 9,5 |
| Mms (g) | 72,11 |



Drawing dimension / installation

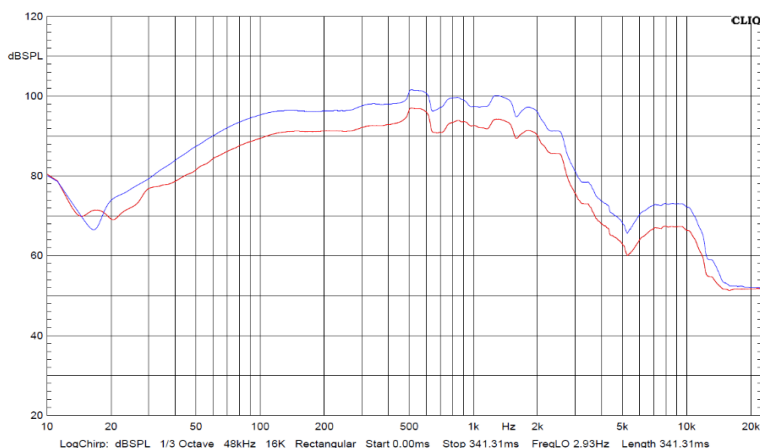


Technical Parameter

| | |
|---------------------------|-----------------|
| Voice coil winding height | 24 mm |
| Voice coil former | composite fiber |
| Magnet material | neodymium |
| Magnet dimension | 95*10 mm |
| Gap Height | 10 mm |
| Demulation ring | no |
| Crossover advice HPF | 80 Hz - 18 dB |
| Crossover advice LPF | 1600 Hz - 12 dB |
| Minimum power advice | 500 WRMS |
| Terminal connection | Push terminal |
| Surround Material | Cloth |
| Surround type | Dual wave |
| Cone material | Pressed paper |

Speaker / Package dimension

| | |
|-----------------------|-------------|
| Outer diameter | 312 mm |
| Installation diameter | 280 mm |
| Mounting depth | 124 mm |
| Magnet diameter | 138 mm |
| Type basket | Aluminium |
| Volume speaker | 3,5 L |
| Speaker Weight | 5,5 kg |
| Package Weight | 6 kg |
| Shipping box | 32*32*15 cm |



— Woofers connected in series
— Woofers connected in parallel

Gs Audio Srl - www.gsaudio.it

Via Matteotti 220/A - San Possidonio MO - Italy
Whatsapp +39 3473263458 - e-mail: info@gsaudio.it